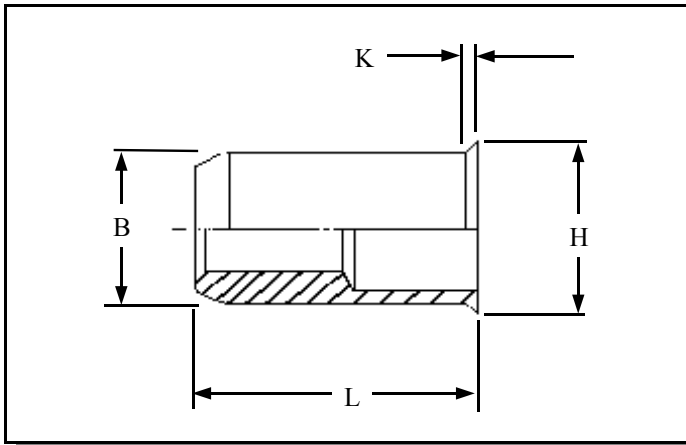




# RIVETNUT TECHNOLOGY SYSTEMS LIMITED

## RLOS CD-G IN STEEL ( EURO DIMENSIONS )



Round low profile head open ended Rivetnuts for material up to 5.50mm thick

All dimensions in mm  
Material :- Steel  
Finish :- zinc & yellow passivate

R.T.S. SALES LINE

**01296 330331**

TECHNICAL DATA SHEET

THREAD SIZE	GRIP RANGE	HOLE SIZE -0.0 +0.10	BODY DIA "B"	HEAD DIA "H" ± 0.10	LENGTH "L"	"K"	PART NUMBER
M4	0.50 to 3.00	6.10	6.00	6.50	10.75	0.50	RLOS-04030-CD
<b>M4</b>	<b>0.50 to 3.00</b>	<b>6.10</b>	<b>6.00</b>	<b>6.90</b>	<b>12.00</b>	<b>0.60</b>	<b>RLOS-04030-G</b>
M5	0.50 to 3.00 3.00 to 5.50	7.10	7.00	7.50	12.00 15.00	0.50	RLOS-05030-CD RLOS-05055-CD
<b>M5</b>	<b>0.50 to 3.00</b>	<b>7.10</b>	<b>7.00</b>	<b>7.90</b>	<b>12.50</b>	<b>0.60</b>	<b>RLOS-05030-G</b>
M6	0.50 to 3.00 3.00 to 5.50	9.10	9.00	9.50	14.50 16.50	0.50	RLOS-06030-CD RLOS-06055-CD
<b>M6</b>	<b>0.50 to 3.00</b>	<b>9.10</b>	<b>9.00</b>	<b>9.90</b>	<b>15.50</b>	<b>0.60</b>	<b>RLOS-06030-G</b>
M8	0.50 to 3.00 3.00 to 5.50	11.10	11.00	11.50	16.00 18.50	0.50	RLOS-08030-CD RLOS-08055-CD
<b>M8</b>	<b>0.50 to 3.00</b>	<b>11.10</b>	<b>11.00</b>	<b>11.90</b>	<b>17.00</b>	<b>0.60</b>	<b>RLOS-08030-G</b>
M10	0.80 to 3.50	12.50	12.40	12.90	19.50	0.50	RLOS-10035-CD

For additional information and technical support please contact R.T.S. technical sales department . R.T.S. reserve the right to change specifications at any time . Information given is for guidance only and should not be used for specific design criteria without reference to our application engineers.