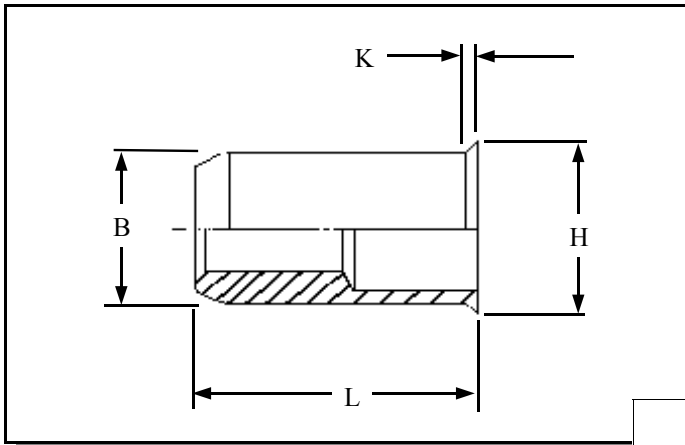




RIVETNUT TECHNOLOGY SYSTEMS LIMITED

RLOI-V IN STAINLESS STEEL



Round low profile head open ended Rivetnuts for material up to 3.25 mm thick

All dimensions in mm
Material :- Stainless Steel (AISI 303)
Finish :- Self colour

R.T.S. SALES LINE
01296 330331

TECHNICAL DATA SHEET

THREAD SIZE	GRIP RANGE	HOLE SIZE -0.0 +0.10	BODY DIA "B"	HEAD DIA "H" ± 0.10	LENGTH "L"	"K"	PART NUMBER
M3	0.50 to 1.27	4.80	4.73	5.20	9.15	0.30	RLOI-03013-V022
M4	0.50 to 1.27	6.40	6.31	6.90	10.42	0.30	RLOI-04013-V023
M5	0.50 to 1.27	7.20	7.11	7.70	11.82	0.40	RLOI-05033-V024
M6	0.50 to 3.25	9.60	9.49	10.30	14.61	0.40	RLOI-06033-V025
M8	0.50 to 3.25	10.60	10.56	11.20	16.13	0.50	RLOI-08033-V026
M10	0.50 to 3.25	14.30	14.27	15.25	18.62	0.50	RLOI-10033-V027

For additional information and technical support please contact R.T.S. technical sales department . R.T.S. reserve the right to change specifications at any time . Information given is for guidance only and should not be used for specific design criteria without reference to our application engineers.