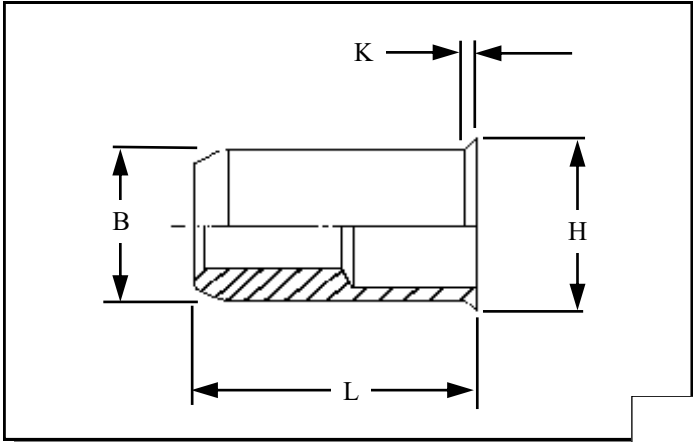




# RIVETNUT TECHNOLOGY SYSTEMS LIMITED

## RLOI-J IN STAINLESS STEEL



Round low profile head open ended Rivetnuts for material up to 4.00 mm thick

All dimensions in mm  
 Material :- A 2 Stainless Steel (AISI 303)  
 Finish :- Self colour

**R.T.S. SALES LINE**  
**01296 330331**

**TECHNICAL DATA SHEET**

THREAD SIZE	GRIP RANGE	HOLE SIZE -0.0 +0.10	BODY DIA "B"	HEAD DIA "H" ± 0.10	LENGTH "L"	"K"	PART NUMBER
M3	0.50 to 2.00	5.10	5.00	6.00	9.00	0.50	RLOI-03020-J
M4	0.50 to 2.50	6.10	6.00	7.00	11.00	0.50	RLOI-04025-J
M5	0.50 to 3.00	7.10	7.00	8.00	12.00	0.50	RLOI-05030-J
M6	0.50 to 3.00	9.10	9.00	10.00	14.00	0.50	RLOI-06030-J
M8	0.50 to 3.00	11.10	11.00	12.00	16.00	0.50	RLOI-08030-J
M10	1.00 to 3.50	13.10	13.00	14.20	19.00	0.80	RLOI-10035-J
M12	1.00 to 4.00	16.10	16.00	17.20	22.50	0.70	RLOI-12040-J

For additional information and technical support please contact R.T.S. technical sales department . R.T.S. reserve the right to change specifications at any time . Information given is for guidance only and should not be used for specific design criteria without reference to our application engineers.