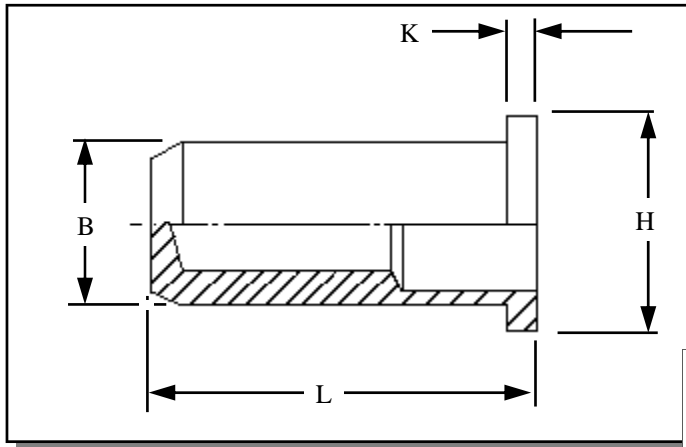




RIVETNUT TECHNOLOGY SYSTEMS LIMITED

RFCS-J IN MILD STEEL



Round flat head closed ended Rivetnuts for material up to 6.00 mm thick

All dimensions in mm
Material :- Mild Steel
Finish :- Zinc Cr3

R.T.S. SALES LINE

01296 330331

THREAD SIZE	GRIP RANGE	HOLE SIZE -0.0 +0.10	BODY DIA "B"	HEAD DIA "H" ± 0.10	LENGTH "L"	"K"	PART NUMBER
M10	1.00 to 3.50	13.00	12.95	19.00	33.00	2.00	RFCS-10035-J
	3.50 to 6.00				36.00		RFCS-10060-J

For additional information and technical support please contact R.T.S. technical sales department . R.T.S. reserve the right to change specifications at any time . Information given is for guidance only and should not be used for specific design criteria without reference to our application engineers.