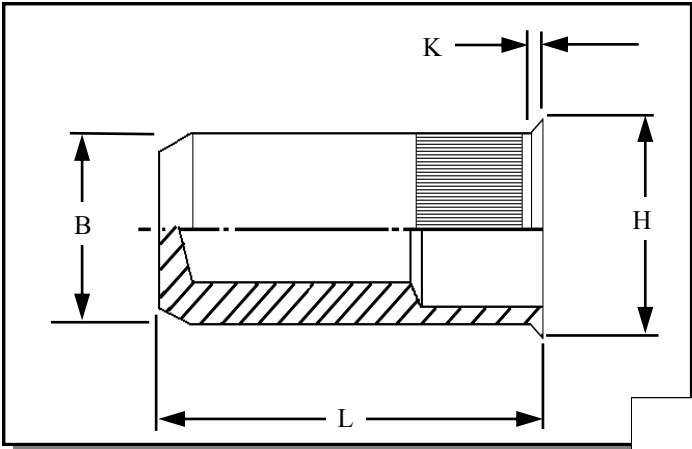




RIVETNUT TECHNOLOGY SYSTEMS LIMITED

KLCS-J IN MILD STEEL



Knurled Round low profile head closed ended Rivetnuts for material up to 3.20 mm thick

All dimensions in mm
Material :- Mild Steel
Finish :- Zinc Plated Cr3 RoHS compliant

R.T.S. SALES LINE
01296 330331

TECHNICAL DATA SHEET

THREAD SIZE	GRIP RANGE	HOLE SIZE -0.0 +0.10	BODY DIA "B"	HEAD DIA "H" ± 0.10	LENGTH "L"	"K"	PART NUMBER
M4	0.50 to 2.50	6.00	5.95	6.80	15.00	0.50	KLCS-04025-J
M5	0.50 to 2.50	7.00	6.95	7.90	18.00	0.50	KLCS-05025-J
M6	0.50 to 3.00	9.00	8.95	10.00	21.50	0.50	KLCS-06030-J
M8	0.50 to 3.20	11.00	10.95	12.00	22.50	0.50	KLCS-08032-J

For additional information and technical support please contact R.T.S. technical sales department . R.T.S. reserve the right to change specifications at any time . Information given is for guidance only and should not be used for specific design criteria without reference to our application engineers.