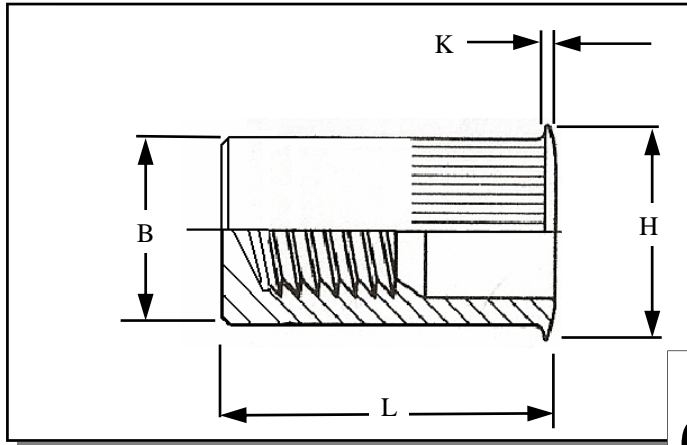




RIVETNUT TECHNOLOGY SYSTEMS LIMITED

KKCS IN STEEL



Knurled Small pan head Closed ended Rivetnuts for material up to 7.90 mm thick.

All dimensions in mm
Material :- Steel
Finish :- Zinc Plated Cr3

R.T.S. SALES LINE
01296 330331

THREAD SIZE	GRIP RANGE	HOLE SIZE -0.0 +0.10	HEAD DIA "H" ± 0.10	LENGTH "L"	"K"	PART NUMBER
M4	0.50 to 2.00	6.75	7.90	19.30	0.50	KKCS-04020
	2.00 to 3.30			19.30		KKCS-04033
M5	0.50 to 3.30	7.60	8.65	25.65	0.50	KKCS-05033
	3.30 to 5.70			25.65		KKCS-05057
M6	0.70 to 4.20	10.00	11.55	30.80	0.55	KKCS-06042
	4.20 to 6.60			30.80		KKCS-06066
M8	0.70 to 3.80	13.50	15.10	35.85	0.55	KKCS-08038
	3.80 to 7.90			35.85		KKCS-08079
M10	0.70 to 3.80	13.50	15.10	35.85	0.55	KKCS-10038
	3.80 to 7.90			35.85		KKCS-10079

For additional information and technical support please contact R.T.S. technical sales department . R.T.S. reserve the right to change specifications at any time . Information given is for guidance only and should not be used for specific design criteria without reference to our application engineers.