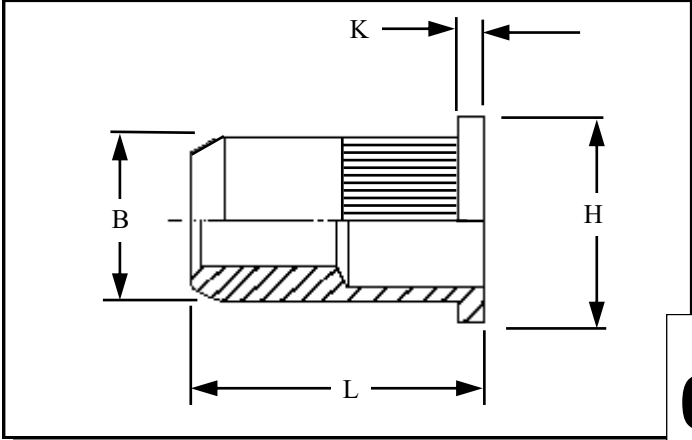




RIVETNUT TECHNOLOGY SYSTEMS LIMITED

KFOI-J IN STAINLESS STEEL



Knurled flat head open ended Rivetnuts for material up to 6.00 mm thick

All dimensions in mm
Material :- Stainless Steel
Finish :- Self Colour

R.T.S. SALES LINE
01296 330331

TECHNICAL DATA SHEET

THREAD SIZE	GRIP RANGE	HOLE SIZE -0.0 +0.10	BODY DIA "B"	HEAD DIA "H" ± 0.10	LENGTH "L"	"K"	PART NUMBER
M3	0.5 to 2.00	5.10	5.00	8.00	9.80	0.80	KFOI-03020-J
M4	0.50 to 2.50 2.50 to 4.00	6.10	6.00	9.00	12.00 13.50	1.00	KFOI-04025-J KFOI-04040-J
M5	0.50 to 3.00 3.00 to 4.50	7.10	7.00	10.00	13.00 14.50	1.00	KFOI-05030-J KFOI-05045-J
M6	0.50 to 3.00 3.00 to 5.00	9.10	9.00	12.00	15.50 17.50	1.50	KFOI-06030-J KFOI-06050-J
M8	1.00 to 3.00 3.00 to 5.50	11.10	11.00	16.00 18.50	17.50 20.00	1.50	KFOI-08030-J KFOI-08055-J
M10	1.00 to 3.50 3.50 to 6.00	13.10	13.00	19.00 21.50	21.00 23.50	2.00	KFOI-10035-J KFOI-10060-J
M12	1.00 to 4.00	16.10	16.00	22.00	25.20	2.00	KFOI-12040-J

For additional information and technical support please contact R.T.S. technical sales department . R.T.S. reserve the right to change specifications at any time . Information given is for guidance only and should not be used for specific design criteria without reference to our application engineers.