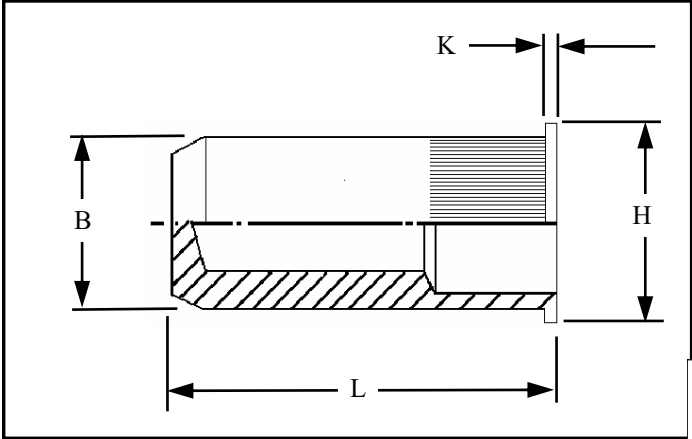




# RIVETNUT TECHNOLOGY SYSTEMS LIMITED

## KFCS-J IN STEEL



Round flat head closed ended  
Knurled body Rivetnuts  
for material up to  
5.500 mm thick.

All dimensions in mm  
Material :- Mild Steel  
Finish :- Zinc Plated Cr3 RoHS compliant

**R.T.S. SALES LINE**  
**01296 330331**

TECHNICAL DATA SHEET

THREAD SIZE	GRIP RANGE	HOLE SIZE -0.0 +0.10	BODY DIA "B"	HEAD DIA "H" ± 0.10	LENGTH "L"	"K"	PART NUMBER
M4	0.50 to 2.50	6.00	5.95	6.80	15.70	0.80	KFCS-04025-J
M5	0.50 to 2.50	7.00	6.95	7.90	18.00	1.00	KFCS-05025-J
M6	0.70 to 3.00	9.00	8.95	10.00	21.50	1.50	KFCS-06030-J
	3.00 to 5.50			12.00	24.00	1.60	KFCS-06055
M8	0.70 to 3.00	11.00	10.95	12.00	24.50	1.50	KFCS-08030-J

For additional information and technical support please contact R.T.S. technical sales department . R.T.S. reserve the right to change specifications at any time . Information given is for guidance only and should not be used for specific design criteria without reference to our application engineers.