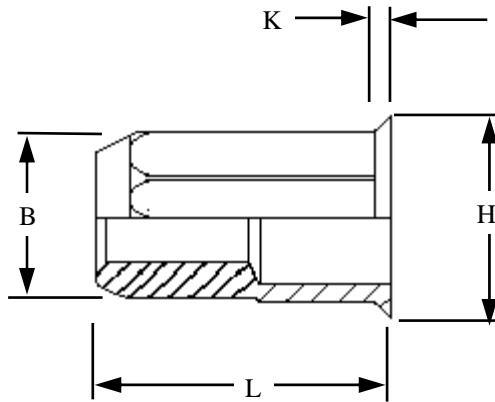




RIVETNUT TECHNOLOGY SYSTEMS LIMITED

HLOS-J IN MILD STEEL



All Hexagon low profile head open ended Rivetnuts for material up to 6.50

All dimensions in mm
Material :- Mild Steel
Finish :- Zinc and Clear Cr3

R.T.S. SALES LINE
01296 330331

THREAD SIZE	GRIP RANGE	A/F HOLE SIZE -0.0 +0.10	BODY DIA "B"	HEAD A/F "H" ± 0.10	LENGTH "L"	"K"	PART NUMBER
M4	0.50 to 2.50	6.10	6.00	7.00	10.00	0.50	HLOS-04025-J
	2.00 to 4.00				12.20		HLOS-04040-J
M5	0.50 to 3.00	7.10	7.00	8.00	12.00	0.60	HLOS-05030-J
	2.00 to 4.50				14.75		HLOS-05045-J
M6	0.60 to 3.00	9.10	9.00	10.00	15.00	0.60	HLOS-06030-J
	3.00 to 5.50				18.00		HLOS-06055-J
M8	0.70 to 3.50	11.10	11.00	12.00	17.50	0.50	HLOS-08035-J
	3.00 to 5.50				19.00		HLOS-08055-J
M10	1.00 to 4.50	13.10	13.00	14.50	23.00	1.00	HLOS-10045-J
	3.00 to 6.00				25.00		HLOS-10060-J
M12	1.00 to 4.00	16.10	16.00	18.00	25.00	1.00	HLOS-12040-J
	4.00 to 6.50				28.00		HLOS-12065-J

TECHNICAL DATA SHEET

For additional information and technical support please contact R.T.S. technical sales department . R.T.S. reserve the right to change specifications at any time . Information given is for guidance only and should not be used for specific design criteria without reference to our application engineers.