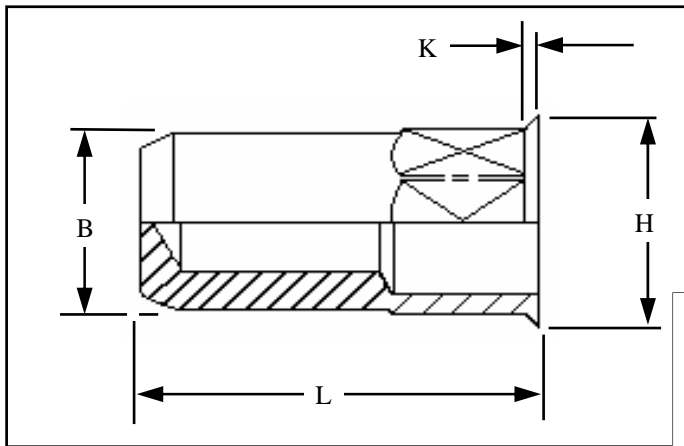




# RIVETNUT TECHNOLOGY SYSTEMS LIMITED

## HLCI IN STAINLESS STEEL



Hexagon low profile head closed ended Rivetnuts for material up to 9.20 mm thick

All dimensions in mm  
Material :- Stainless steel (AISI 303)  
Finish :- Self colour

**R.T.S. SALES LINE**  
**01296 330331**

# TECHNICAL DATA SHEET

THREAD SIZE	GRIP RANGE	HOLE SIZE A/F -0.0 +0.10	BODY A/F "B"	HEAD DIA "H" ± 0.10	LENGTH "L"	"K"	PART NUMBER
M3	0.50 to 1.10	5.10	5.00	5.80	10.70	0.30	HLCI-03011 HLCI-03023 HLCI-03032 HLCI-03041
	1.00 to 2.30				11.80		
	2.30 to 3.20				13.10		
	3.20 to 4.10				14.00		
M4	0.50 to 1.30	6.10	6.00	6.80	14.40	0.30	HLCI-04013 HLCI-04030 HLCI-04042 HLCI-04055
	1.00 to 3.00				15.90		
	3.00 to 4.20				17.00		
	4.20 to 5.50				18.30		
M5	0.50 to 1.50	7.10	7.00	8.00	16.50	0.40	HLCI-05015 HLCI-05025 HLCI-05035 HLCI-05045
	0.50 to 2.50				17.40		
	1.50 to 3.50				18.50		
	3.00 to 4.50				19.50		
M6	0.50 to 1.50	9.10	9.00	10.00	19.90	0.40	HLCI-06015 HLCI-06035 HLCI-06045 HLCI-06055 HLCI-06065
	1.50 to 3.50				21.90		
	2.50 to 4.50				22.90		
	3.50 to 5.50				23.90		
	5.00 to 6.50				24.90		
M8	0.50 to 1.80	11.10	11.00	12.00	23.60	0.40	HLCI-08018 HLCI-08030 HLCI-08042 HLCI-08050 HLCI-08065
	1.00 to 3.00				24.80		
	2.20 to 4.20				26.00		
	3.00 to 5.00				26.80		
	4.50 to 6.50				28.30		
M10	0.50 to 3.20	13.10	13.00	14.50	30.90	0.60	HLCI-10032 HLCI-10055 HLCI-10060 HLCI-10065 HLCI-10075
	2.50 to 5.50				33.40		
	3.00 to 6.00				34.10		
	3.50 to 6.50				34.40		
	5.50 to 7.50				35.40		
M12	0.50 to 4.20	16.10	16.00	17.50	36.00	0.60	HLCI-12042 HLCI-12060 HLCI-12076 HLCI-12092
	2.50 to 6.00				36.30		
	4.00 to 7.60				38.30		
	7.00 to 9.20				39.60		

For additional information and technical support please contact R.T.S. technical sales department . R.T.S. reserve the right to change specifications at any time . Information given is for guidance only and should not be used for specific design criteria without reference to our application engineers.