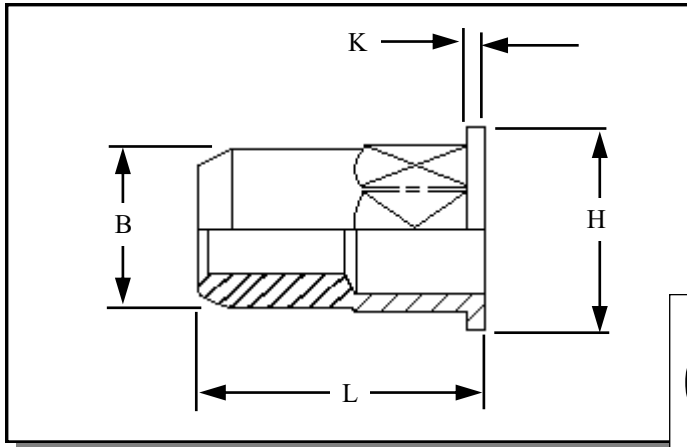




RIVETNUT TECHNOLOGY SYSTEMS LIMITED

TECHNICAL DATA SHEET

HFOS-JV IN MILD STEEL



Half Hexagon flat head open ended Rivetnuts for material up to 5.50 mm thick

All dimensions in mm
Material :- Mild Steel
Finish :- Zinc Plated Cr3 RoHS compliant

R.T.S. SALES LINE
01296 330331

THREAD SIZE	GRIP RANGE	HOLE SIZE -0.0 +0.10	BODY DIA "B"	HEAD DIA "H" ± 0.10	LENGTH "L"	"K"	PART NUMBER
M4	0.50 to 2.00	6.10	6.00	9.00	10.75	1.00	HFOS-04020-JV056
M5	0.50 to 3.00	7.10	7.00	10.00	14.00	1.00	HFOS-05030-JV057
M6	0.50 to 3.00	9.10	9.00	12.00	16.00	1.20	HFOS-06030-JV058
M8	0.50 to 3.00	11.10	11.00	16.00	18.00	1.50	HFOS-08030-JV059
	3.00 to 5.50				20.50		HFOS-08055-JV096
M10	1.00 to 4.50	13.10	13.00	19.00	24.00	2.00	HFOS-10045-JV062

For additional information and technical support please contact R.T.S. technical sales department . R.T.S. reserve the right to change specifications at any time . Information given is for guidance only and should not be used for specific design criteria without reference to our application engineers.