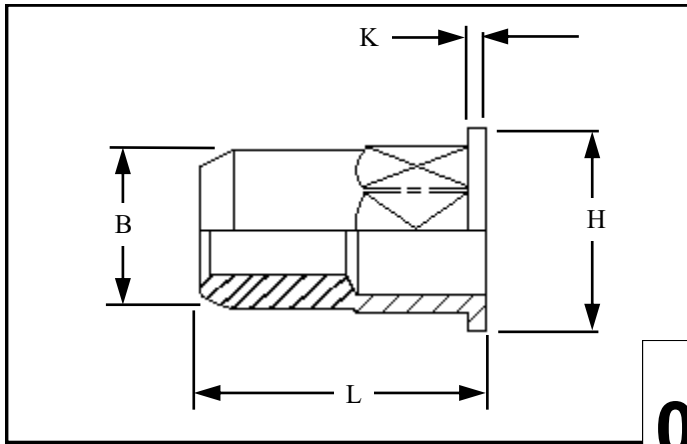




RIVETNUT TECHNOLOGY SYSTEMS LIMITED

HFOI-CD IN STAINLESS STEEL



Hexagon flat head open ended Rivetnuts for material up to 6.00 mm thick

All dimensions in mm
Material :- Stainless Steel (AISI 304)
Finish :- self colour

R.T.S. SALES LINE
01296 330331

TECHNICAL DATA SHEET

THREAD SIZE	GRIP RANGE	HOLE SIZE A/F -0.0 +0.10	BODY A/F "B"	HEAD DIA "H" ± 0.10	LENGTH "L"	"K"	PART NUMBER
M4	0.50 to 2.00	6.10	6.00	9.00	11.00	1.00	HFOI-04020-CD
M5	0.50 to 3.00	7.10	7.00	10.00	11.50	1.00	HFOI-05030-CD
M6	0.50 to 3.00	9.10	9.00	12.00	14.500	1.50	HFOI-06030-CD
M8	0.50 to 3.00 3.00 to 5.50	11.10	11.00	15.00	16.00 18.50	1.50	HFOI-08030-CD HFOI-08055-CD
M10	0.80 to 3.50 3.50 to 6.00	13.10	13.00	17.00	23.00 25.50	1.50	HFOI-10035-CD HFOI-10060-CD

For additional information and technical support please contact R.T.S. technical sales department . R.T.S. reserve the right to change specifications at any time . Information given is for guidance only and should not be used for specific design criteria without reference to our application engineers.