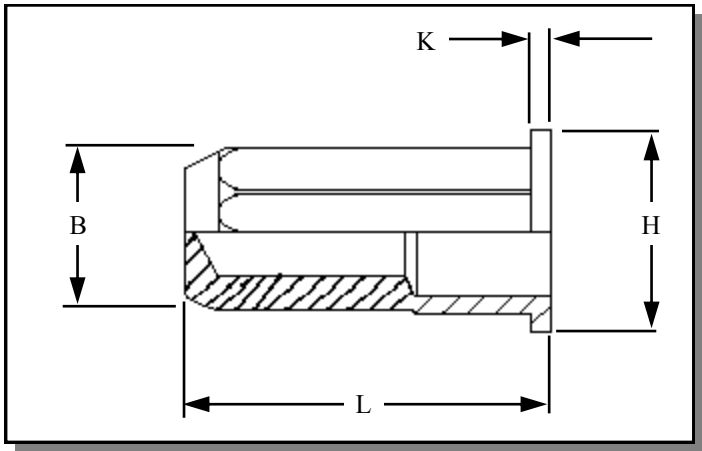




RIVETNUT TECHNOLOGY SYSTEMS LIMITED

HFCS-J IN MILD STEEL



All Hexagon body flat head closed ended Rivetnuts for material up to 5.50 mm thick

All dimensions in mm
 Material :- Mild Steel
 Finish :- Zinc Plated Cr3 RoHS compliant

R.T.S. SALES LINE
01296 330331

TECHNICAL DATA SHEET

THREAD SIZE	GRIP RANGE	HOLE SIZE -0.0 +0.10	BODY A/F "B"	HEAD DIA "H" ± 0.10	LENGTH "L"	"K"	PART NUMBER
M4	0.50 to 2.00	6.10	6.00	9.00	16.00	1.00	HFCS-04020-J
M5	0.50 to 3.00	7.10	7.00	10.00	20.00	1.00	HFCS-05030-J
M6	0.50 to 3.0	9.10	9.00	13.00	23.00	1.50	HFCS-06055-J
M8	0.50 to 3.00 3.00 to 5.50	11.10	11.00	16.00	26.00 28.50	1.50	HFCS-08030-J HFCS-08055-J



For additional information and technical support please contact R.T.S. technical sales department . R.T.S. reserve the right to change specifications at any time . Information given is for guidance only and should not be used for specific design criteria without reference to our application engineers.